

APPLICATIONS

- Air & flue gas
- Tanks & vessels
- Oil & Gas applications
- Corrosive environments
- Power & Steel industries
- HVAC, Air filters & utilities
- On-shore/Off-shore application

FEATURES

- Solid bar-stock drilled design
- 4 different shank styles
- Flanged process connection



BAR-STOCK FLANGED THERMOWELL, ANI33-4

DESCRIPTION

General

Well design : ASME PTC 19.3 : 2010TW

Flange design : ANSI B16.5 / EN 1092-1 / BS-10

Storage temperature : -40...+65°C

Service temperature : As per material properties

Weld joints : TIG argon arc welding

Material of construction

Well : ASTM A105 / AISI 304 SS / AISI 316 SS / AISI 316L SS

AISI 310 SS / AISI 321 SS / AISI 446 SS

Inconel 600 / Alloy 800 / Alloy 800H

Hastelloy C-276 / Inconel 625 / Inconel 825 / Monel

Standard version

Well form : Tapered

Flange / Well Material : AISI 316 SS

Instrument connection : 1/2" NPT (F)

Process connection : 1" 150# as per ANSI B16.5

Flange facing type : Serrated Raised Face

Head type & size : Round - Ø30 mm

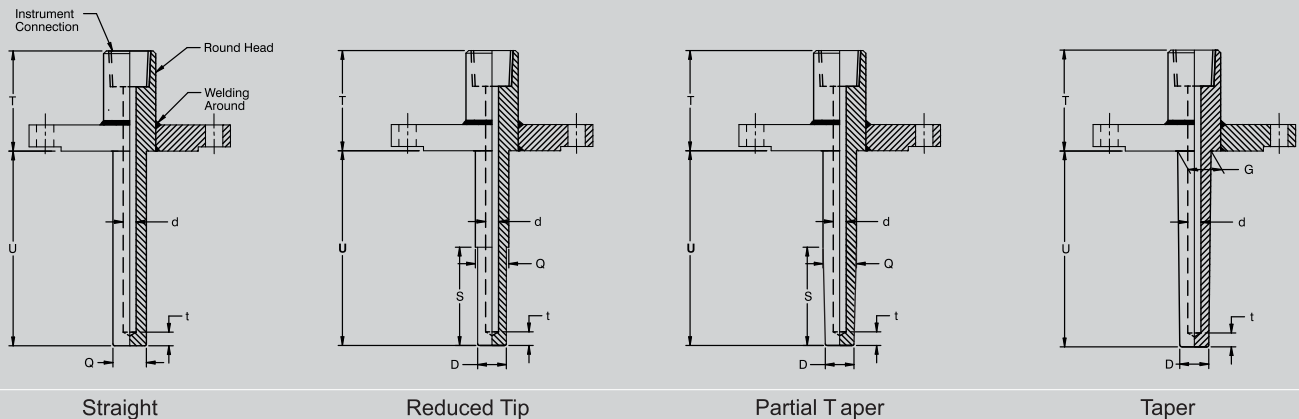
Lagging extension / Immersion length : 50 mm / 300 mm

Root / Tip diameter : 21.0 mm / 16.0 mm

Bore diameter : 6.6 mm

Tip thickness : 5 mm

GA DRAWING



ORDERING CODES

MODEL						ANI33-4
ANI33-4 Bar-stock flanged thermowell						
WELL FORM						R4
R3	Straight	R4	Tapered	R5	Reduced tip	
R6	Partial taper					
WELL MATERIAL						S01
S09	ASTM A105	S01	AISI 304 SS	S02	AISI 316 SS	
S03	AISI 316L SS	S20	AISI 310 SS	S21	AISI 321 SS	
S22	AISI 446 SS	S06	Inconel 600	S25	Alloy 800	
S26	Alloy 800H	S10	Hastelloy C-276	S23	Inconel 625	
S24	Inconel 825	S05	Monel			
FLANGE MATERIAL						S01
S09	ASTM A105	S01	AISI 304 SS	S02	AISI 316 SS	
S03	AISI 316L SS	S20	AISI 310 SS	S21	AISI 321 SS	
S22	AISI 446 SS	S06	Inconel 600	S25	Alloy 800	
S26	Alloy 800H	S10	Hastelloy C-276	S23	Inconel 625	
S24	Inconel 825	S05	Monel			
INSTRUMENT CONNECTION						P28
P23	1/4" BSP (F)	P24	1/4" NPT (F)	P27	1/2" BSP (F)	
P28	1/2" NPT (F)	P29	3/4" BSP (M)	P30	3/4" NPT (F)	
P38	M10 X 1.0 mm (F)	P39	M14 X 1.25 mm (F)	P40	M20 X 1.5 mm (F)	
PROCESS CONNECTION						F25
XXX	As per Flange table					
FLANGE FACING						G1
G1	Serrated raised face	G2	Flat face	G3	Ring type joint face	
G4	Tongue & Groove face					
HEAD TYPE & SIZE						R30
RXX	Round with XX mm diameter					
LAGGING EXTENSION						050
XXX	35 mm to 350 mm					
IMMERSION LENGTH						00500
XXXXX	25 mm to 1000 mm					
PARTIAL TAPER / REDUCED TIP LENGTH						000
XXX	25 mm to 999 mm					
ROOT / TIP DIAMETERS						21-16
XX/XX	16 mm / 12.5 mm, 21 mm / 16 mm, 27 mm / 18 mm, etc.					
BORE DIAMETER						6.6
XX	6.6 mm, 7 mm, 8.5 mm, 10 mm, 11 mm, 13 mm					
TIP THICKNESS						05
XX	5 mm to 30 mm					
OTHER OPTIONS						XXX
E77	Plug & Chain in stainless steel	E17	Material test certificate 3.1	E21	Material test certificate 2.2	

Ordering Example : ANI33-4.R4.S01.S01.P28.F25.G1.R30/050.00500.000/21-16/6.6/05/XXX