

APPLICATIONS

- Max. Working Temperature 180°C Max.
- Working Pressure 650 Bar Max.
- Overload Protector for all pressure Instruments
- Low and High Pressure applications



FEATURES

- MOC-SS16 /MONEL
- PISTON & Bellow TYPE
- LOW 200 Mbar to HIGH PRESSU 650 bar
- RANGE ADJUSTMENT BY ADJUSTMENT NUT

DESCRIPTION

General

Thread design : ANSI B1.20.1 / BS EN ISO 228-1

Service temperature : 180°C

Working Pressure : 650 Bar

Material of construction

Body Material : AISI 316 SS / MONEL

Packing Material : VITON

GAUGE SAVER - PISTON / BELLOW TYPE- ANI30-4

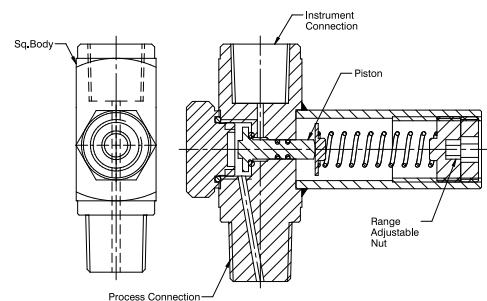
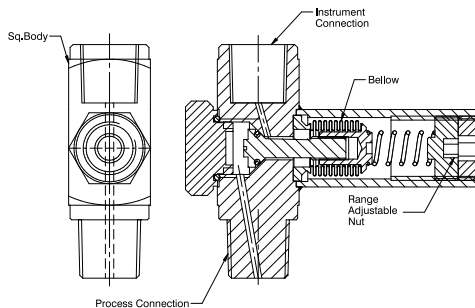
Standard version

Element Type : Piston / BellowType

Instrument connection : 1/2" NPT (F) / 1/2" BSP (F)

Process connection : 1/2" NPT (M) / 1/2" BSP (M)

GA DRAWING



ORDERING CODES

MODEL	ANI30-4- Gauge Saver / Over Load Protector		ANI30-4
SNNUBER TYPE			1B
	2P/3P/4P/5P/6P/7P - Gauge Saver Piston Type	1B / 2B - Gauge Saver Bellow Type	
BODY MATERIAL			S02
	S02 AISI 316 SS	S05 MONEL	S02
INSTRUMENT CONNECTION			P27
P28	1/2" NPT (F)	P27	1/2" BSP (F)
PROCESS CONNECTION			P07
P08	1/2" NPT (M)	P07	1/2" BSP (M)
OPTIONS			E90
E90	HYDRO TEST CERTIFICATE	E31 Material test certificate 3.1	E32 Material test certificate 2.2

Ordering Example : ANI30-4.SS.S01.P27.P07.E90/XX.