

APPLICATIONS

- Max. Working Temperature 200°C
- Max. Working Pressure 6000 psi
- Dampener for all pressure Instruments
- Pressure fluctuation applications



FEATURES

- MOC-SS/MONEL/BRASS
- PISTON TYPE -OPTION
- LOW 5 MMWC / HIGH PRESSURE -10000 PSI
- DAMPANING ADJUSTMENT BY SCREW

DESCRIPTION

General

Thread design : ANSI B1.20.1 / BS EN ISO 228-1

Service temperature : 200°C

Working Pressure : 6000 PSI

Material of construction

Body Material : AISI 316 SS/ BRASS / MONEL

SNUBBER - SCREW TYPE- ANI30-3

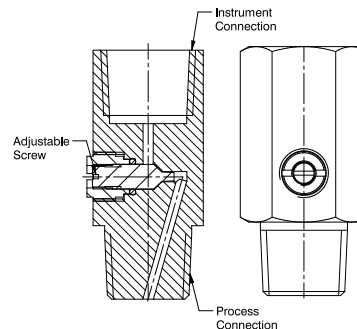
Standard version

Snubber type : Screw / Piston Type

Instrument connection : ½" NPT (F) / ½" BSP (F)

Process connection : ½" NPT (M) / ½" BSP (M)

GA DRAWING



ORDERING CODES

MODEL	ANI30-3-SNUBBER	-SCREW	TYPE							ANI30-3
SNUBBER TYPE										SS
	SS	SCREW TYPE			PS	PISTON TYPE				
BODY MATERIAL										S01
S01	AISI 304 SS	S02	AISI 316 SS	S24	BRASS					
INSTRUMENT CONNECTION										P27
P28	1/2" NPT (F)	P23	1/4" BSP (F)	P27	1/2" BSP (F)	P24	1/4" NPT (F)	P04	1/4" NPT (M)	
PROCESS CONNECTION										P07
P08	1/2" NPT (M)	P03	1/4" BSP (M)	P07	1/2" BSP (M)	P04	1/4" NPT (M)			
OPTIONS										E90
E90	HYDRO TEST CERTIFICATE		E31	Material test certificate 3.1			E32	Material test certificate 2.2		

Ordering Example : ANI30-2SS.S01.P27.P07.E90/XX.