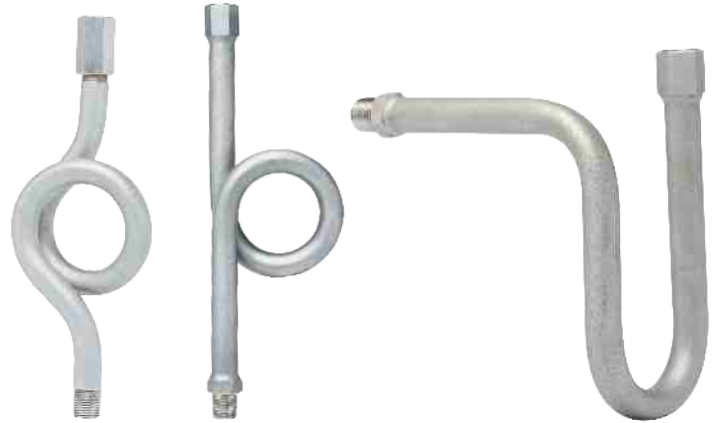


APPLICATIONS

- Max. Working Temperature 400°C
- Max working pressure 160 bar
- Heat Reducer for Instruments
- High-pressure & vibration applications

FEATURES

- Seamless pipes construction
- Boiler and High Temperature fittings
- 3 different loop designs



COIL TYPE

PIG TAIL TYPE

U TYPE

SYPHON -COIL / PIG TAIL / U Type, ANI30-2

DESCRIPTION

General

Thread design : ANSI B1.20.1 / BS EN ISO 228-1

Service temperature : PT Chart

Working Pressure : PT Chart

Standard version

Syphon type :Coil / Pig Tail / U Type

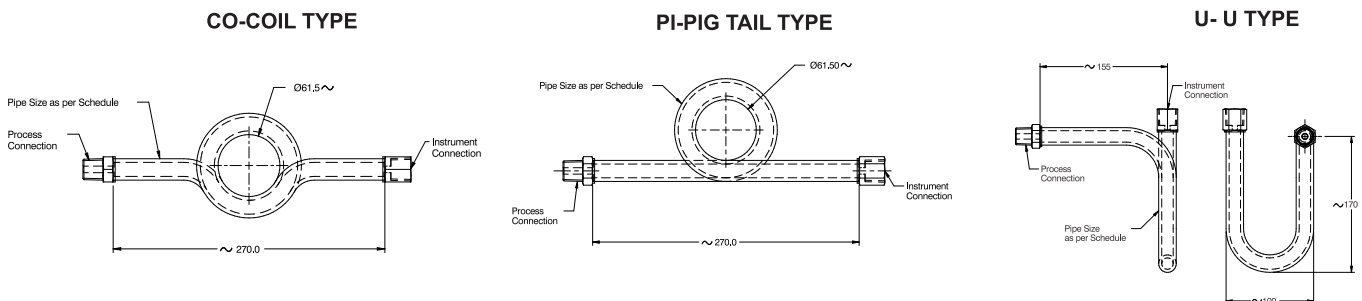
Instrument connection : 1/2" NPT (F) / 1/2" BSP (F)

Process connection : 1/2" NPT (M) / 1/2" BSP (M)

Material of construction

Pipe material : AISI 304 SS / AISI 316 SS / BRASS / CS

GA DRAWING



ORDERING CODES

MODEL	ANI30-2-Syphon			ANI30-2	
BODY MATERIAL					
CO-COIL TYPE	PI-PIG TAIL TYPE		U- U TYPE		
BODY MATERIAL					
S01	AISI 304 SS	S02	AISI 316 SS	S24	BRASS
INSTRUMENT CONNECTION					
P28	1/2" NPT (F)	P23	1/4" BSP (F)	P27	1/2" BSP (F)
P24	1/4" NPT (F)	P04		1/4" NPT (M)	
PROCESS CONNECTION					
P08	1/2" NPT (M)	P03	1/4" BSP (M)	P07	1/2" BSP (M)
P04	1/4" NPT (M)				
OPTIONS					
E90	HYDRO TEST CERTIFICATE	E31	Material test certificate 3.1	E32	Material test certificate 2.2

Ordering Example : ANI30-2.CO.S01.P27.P07. E90/XX.