

APPLICATIONS

- Sanitary, food & beverages
- Optional electric contacts
- Optional transmitter output
- Filled version



FEATURES

- Dairy, Ice cream industries
- Pharmaceutical industries
- Sterilization applications

HOMOGINIZER PRESSURE GAUGE, ANI18-1

DESCRIPTION

General

Design : EN 837-3

Accuracy : $\pm 1.6\%$ of full scale

Ambient temperature: -40...+65°C [without dampening liquid]
-20...+65°C [with dampening liquid]

Service temperature : 10...150°C max.

Pressure limits : Steady pressure up to FS value

Fluctuating pressure up to 90% of FS value

Short time 1.3 x FS value for range up to 100 bar

Short time 1.15 x FS value for range above 100 bar

Weld joints : TIG argon arc welding

Material of construction

Sensing element : Diaphragm

Case & Ring material : AISI 304 SS (Bayonet type)

Diaphragm, Bourdon tube & Shank : AISI 316L SS

Movement mechanism : AISI 304 SS

Dial : Aluminum, black graduation on white background

Pointer : Fixed, aluminum, black powder coated

Gaskets & filling plug : Neoprene

Window : Plexi glass

Standard version

Dial size : DN100

Range : -1...600 bar

Mounting pattern : Direct, Bottom connection

Process connection : Without mounting flange

Seal filling fluid : Glycerine [10°C to 150°C]

Ingress protection : IP 65

Execution : Dry / Dry but fillable

Filled versions

Glycerin

Window : Plexi glass

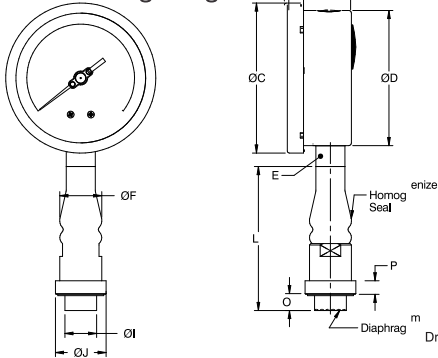
Dampening liquid : Glycerin 99.7%

Temperature effect

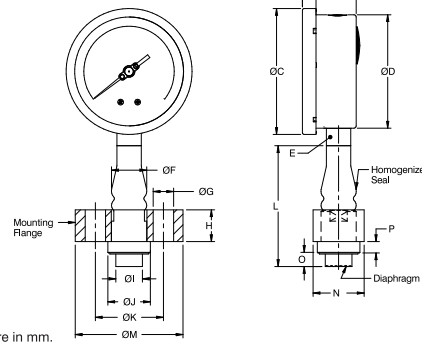
When temperature of the measuring system deviates from reference temperature (+20°C) :
max error $\pm 0.4\%$ / 10K of true scale value.

DIMENSIONAL DRAWING

Without mounting flange



With mounting flange



Drawing not to scale. All dimensions are in mm.

DN	A	B	ØC	ØD	E	F	I	J	L	O	P	Weight (grams)
100	12	48	111	100	SQ.22	31	23.5	37.5	106.5	11	11	1295

DN	A	B	ØC	ØD	E	ØF	G	H	I	J	K	L	M	N	O	P	Weight (grams)
100	12	48	111	100	SQ.22	31	18	28	23.5	37.5	60	106.5	95	45	11	11	1688

ORDERING CODES

MODEL

ANI18-1 Homoginizer Pressure Gauge

DIAL SIZE

D4 4" / 100 mm

MOUNTING CONNECTION

P41 With mounting flange **P42** Without Mounting Flange **P43** 1 1/4" BSP(F) Union Nut

CASE FILLING

F1 Dry **F2** Dry but fillable **F3** Glycerin filled

WETTED PARTS

S02 AISI 316 SS **S03** AISI 316L SS

INGRESS PROTECTION

I1 IP 65 **I6** IP 68

RANGE

0-250 bar Please mention range required with the measurement unit
[TGI offer in all types of National & International measurement units, e.g. kg/cm², psi, kPa, etc. with single or dual scales]

OTHER OPTIONS

E16 5 - point calibration certificate **E31** Custom designed dial **E32** Dial tag marking
E17 Material test certificate 3.1 **E21** Material test certificate 2.2 **E28** SS tag plate, AISI 316 SS
E27 SS tag plate, AISI 304 SS **E47** Crimped case & ring

ANI10

D2

M1

P42

F2

S02

I1

0-250 bar

E16/E27

Rev 00

© 2019 ANI all rights reserved The technical details & specifications are provided as such at the time of printing. Technical changes and omissions may happen later.

Ordering Example : ANI18-1.D2.M1.P42.F2.S02.I1/0-250 bar/E16/E27