

APPLICATIONS

- Pumps & motor controls
- Water treatment plants
- Hydraulic & pneumatics
- Chemical & petrochemicals
- Pharmaceutical industries
- HVAC & compressor industries
- Refrigeration

FEATURES

- All SS measuring system
- Socket-case, direct welded
- CE marked contacts
- Liquid filled versions



ELECTRIC CONTACT PRESSURE GAUGE - DOME, ANI06

DESCRIPTION

General

Design : EN 837-1

Accuracy : $\pm 1.0\%$ of full scale (Gauge)

: $\pm 4\%$ of full scale (Contact)

Ambient temperature : -40...+65°C [without dampening liquid]

: -20...+65°C [with dampening liquid]

Service temperature : 200°C max.

Pressure limits : Steady pressure up to FS value

Fluctuating pressure up to 90% of FS value

Weld joints : TIG argon arc welding

Protection class as per EN 837-1 : S1

Material of construction

Sensing element : Bourdon Tube

[<100 bar : C - type , >100 bar : Helical]

Case & Ring material : AISI 304 SS [Bayonet type]

Bourdon tube & Shank : AISI 316L SS / Monel

[Shank welded directly to case for rigidity in vibration field]

Movement mechanism : AISI 304 SS

Dial : Aluminum, black graduation on white background

Pointer : Micro-zero adjustable, aluminum, black powder coated

Gaskets, Blow off disc & filling plug : Neoprene / NBR

Window : Polycarbonate dome

Standard version

Dial size : DN100 / DN150

Range : -1 - 0 - 1,600 bar

Mounting pattern : Direct, Bottom connection

Process connection : 1/2" NPT (M) / 1/2" BSP (M)

Ingress protection : IP 65

Execution : Dry / Dry but fillable

Switch : Make contact (1NO)

Electrical termination : 4 pin PG 13.5 connector

Filled versions

Dielectric oil

Accuracy : $\pm 2.0\%$ of full scale

Gasket, Blow off disc & filling plug : NBR / Viton

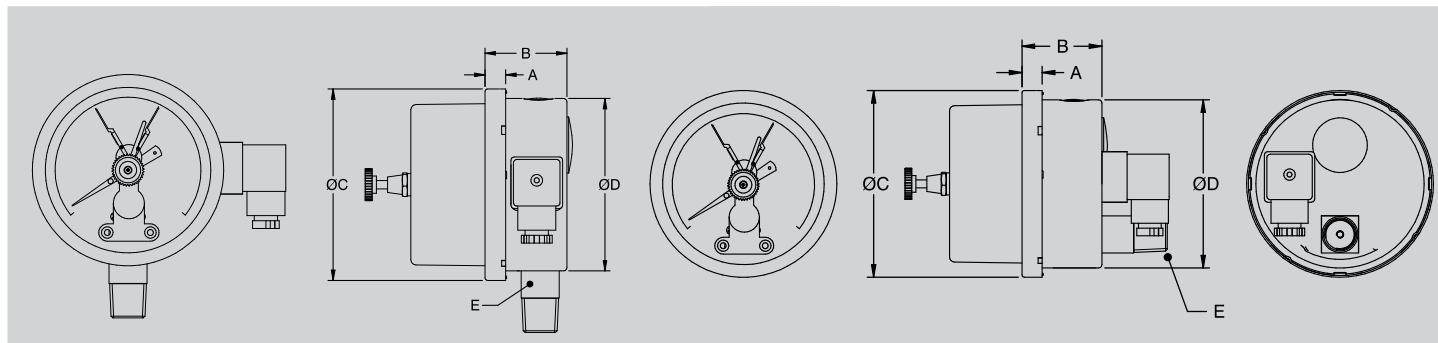
Dampening liquid : Dielectric oil

Temperature effect

When temperature of the measuring system deviates from reference temperature (+20°C) :

max error $\pm 0.4\%$ / 10K of true scale value.

DIMENSIONAL DRAWING



NOTES

1. Drawing not to scale. All dimensions are in mm.
2. For other mounting details, Panel Cut-out dimensions, kindly contact factory.

NS	A	B	ØC	ØD	E
100	12	48	111	100	□ 22
150	15	48	161	149	□ 22

ORDERING CODES

MODEL		DIAL SIZE		MOUNTING		CONNECTION		CASE FILLING		WETTED PARTS		INGRESS PROTECTION		RANGE		ELECTRIC CONTACT TYPE [RATING - MAGNETIC CONTACTS : 45mA@230VAC, INDUCTIVE CONTACT : 8VAC]		OPTIONAL EXTRAS	
ANI06	Electric contact pressure gauge - Dome style	D4	4" / 100 mm	M1	Direct bottom	P04	¼" NPT (M)	F1	Dry	S03	AISI 316L SS	I1	IP 65	0-10 bar	Please mention range required with the measurement unit [TGI offer in all types of National & International measurement units, e.g. kg/cm ² , psi, kPa, etc. with single or dual scales]	N1	Magnetic Contact - 1NC	E33	AISI 316 SS Case & Ring
		D6	6" / 150 mm	M2	Direct bottom with Back flange	P03	¼" BSP (M)	F9	Dielectric oil filled	S05	MONEL	I6	IP 68			N2	Magnetic Contact - 1NC	E04	AISI 3 SS movement
				M6	Direct lower back	P08	½" NPT (M)			S01	AISI 304 SS					N3	Magnetic Contact - 1NC & 1NO	E14	Rubber parts, Viton
				M7	Direct lower back with front flange	P05	3/8" BSP (M)									N4	Magnetic Contact - 2NC	E16	5-point calibration certificate
				M8	Direct lower back with panel mounting clamp	P07	½" BSP (M)									N6	Inductive Contact - 1NC	E17	Material test certificate 3.1
																N7	Inductive Contact - 1NC	E22	Tested to NACA standards
																N8	Inductive Contact - 1NC & 1NO	E27	AISI 304 SS tag plate
																N9	Inductive Contact - 2NC	E32	Dial tag marking
																N10	Inductive Contact - 2NC	E31	Custom designed dial
																N11	1 SPDT		
																N12	1 SPDT		

Ordering Example : ANI06-D4.M1.P08.F2.S03.I1/0-10 bar/N1/E16/E27