

APPLICATIONS

- Liquid & gaseous mediums
- Oil & Gas applications
- Food & Beverages

FEATURES

- Follows IS 3624 / EN 837-1 / ASME B40.100
- Accuracy as per $\pm 1.6\%$ / CL 1.6 / Grade A
- Dry / Fillable / Liquid filled



COMMERCIAL PRESSURE GAUGE, ANI05-1

DESCRIPTION

General

Design : EN 837-1

Accuracy : $\pm 1.6\%$ of full scale [63 mm onwards]
 $\pm 2.5\%$ of full scale [50 mm and below]

Ambient temperature : -30...+65°C

Service temperature : 150°C max.

Pressure limits : Steady pressure up to 75% of FS value
Fluctuating pressure up to 90% of FS value
Short time 130% of FS value for range up to 100 bar
Short time 115% of FS value for range above 100 bar

Joints : Silver alloy brazing / soldering

Material of construction

Sensing element : Bourdon Tube
[<100 bar : C - type , >100 bar : Helical]

Case & Ring material : AISI 304 SS [Bayonet / crimped type]

Bourdon tube & Shank : Copper Alloy

Movement mechanism : Copper Alloy

Dial : Aluminum, black graduation on white background

Pointer : Fixed, aluminum, black powder coated

Window : Plexi glass / Sheet glass

Standard version

Dial size : 50 mm / 63 mm / 80 mm / 100 mm

Range : -1...0...700 bar

Mounting pattern : Direct Bottom

Process connection : 1/4" NPT (M) / 1/4" BSP (M) / 1/2" NPT (M)

Ingress protection : IP 65

Execution : Dry / Dry but fillable

Filled version

Glycerin

Gaskets & filling plug : Silicon gasket & Neoprene filling plug

Dampening liquid : Glycerin 99.7% / 80% / 60%
[Service temperature -20°C up to 65°C]

Silicon Oil

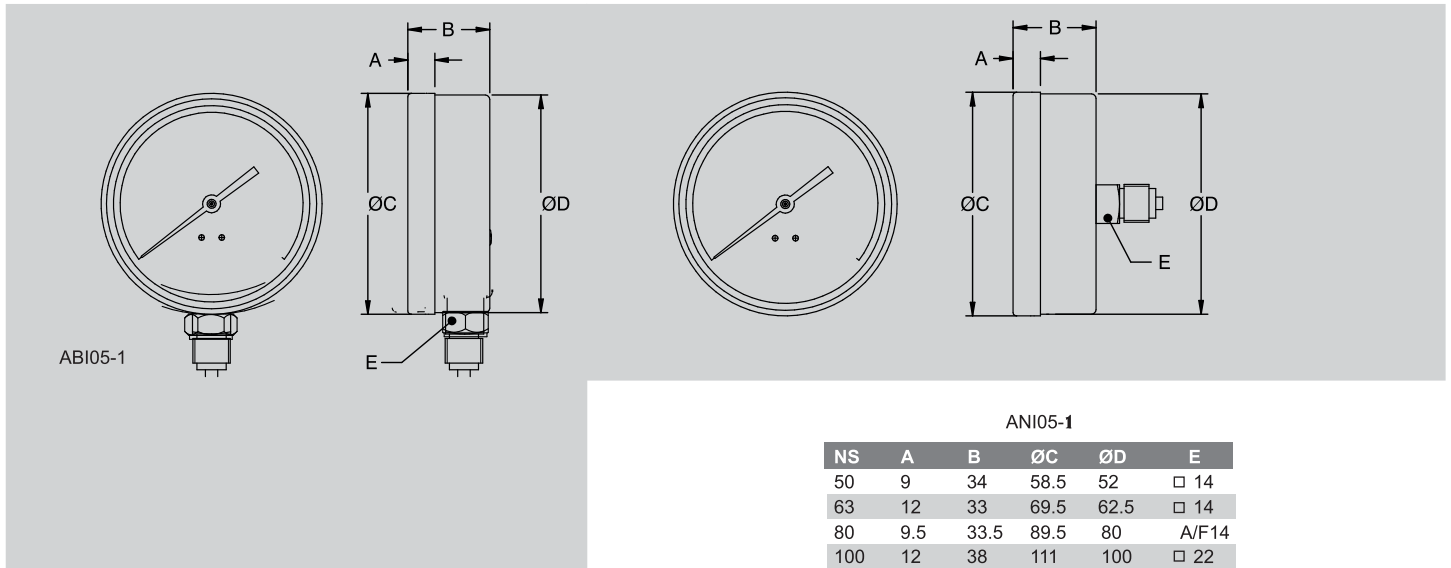
Gasket & filling plug : NBR / Viton

Dampening liquid : Silicon oil DC 200
[Service temperature -40°C up to 150°C]

Temperature effect

When temperature of the measuring system deviates from reference temperature (+20°C):
max $\pm 0.4\%$ / 10K of full scale value.

DIMENSIONAL DRAWING



ANI05-1					
NS	A	B	ØC	ØD	E
50	9	34	58.5	52	□ 14
63	12	33	69.5	62.5	□ 14
80	9.5	33.5	89.5	80	A/F14
100	12	38	111	100	□ 22

- NOTES
- Drawing not to scale. All dimensions are in mm.
 - For other mounting details, Panel Cut-out dimensions, kindly contact factory.

ORDERING CODES

MODEL		ANI05-1	
ANI05-1 Commercial pressure gauge (SS Case)			
DIAL SIZE		D2	
D1	2" / 50 mm	D2	2.5" / 63 mm
D4	4" / 100 mm	D3	3" / 80 mm
MOUNTING		M5	
M1	Direct bottom	M9	Direct center back with front flange
M2	Direct bottom with Back flange	M10	Direct center back with panel mounting bracket
M5	Direct center back		
CONNECTION		P4	
P4	1/4" NPT (M)	P6	3/8" NPT (M)
P3	1/4" BSP (M)	P5	3/8" BSP (M)
P1	1/8" BSP (M)	P2	1/8" NPT (M)
P7	1/2" BSP (M)	P8	1/2" NPT (M)
CASE FILLING		F1	
F1	Dry	F2	Dry but fillable
F4	Silicon oil filled	F3	Glycerin filled
WETTED PARTS		S12	
S12	Copper alloy		
INGRESS PROTECTION		I1	
I1	IP 65	I5	IP 68
RANGE		0-10 bar	
0-10 bar Please mention range required with the measurement unit [ANI offer in all types of National & International measurement units, e.g. kg/cm ² , psi, kPa, etc. with single or dual scales]			
OPTIONAL EXTRAS		E16/E27	
E33	AISI 316 SS case & ring	E12	Epoxy coating (Case & Ring)
E16	5 - point calibration certificate	E17	Material test certificate 3.1
E27	AISI 304 SS tag plate	E23	Cleaned for Oxygen service
E28	AISI 316 SS tag plate	E32	Dial tag marking

Ordering Example : ANI05-1.D2.M5.P4.F1.S12.I1/0-10 bar/E16/E27